

# LOOK CRMX KIT

User Manual

The kit adds a Lumenradio TimoTwo CRMX receiver into the body of the smoke machines manufactured by Ottec, replacing original XLR connectors.

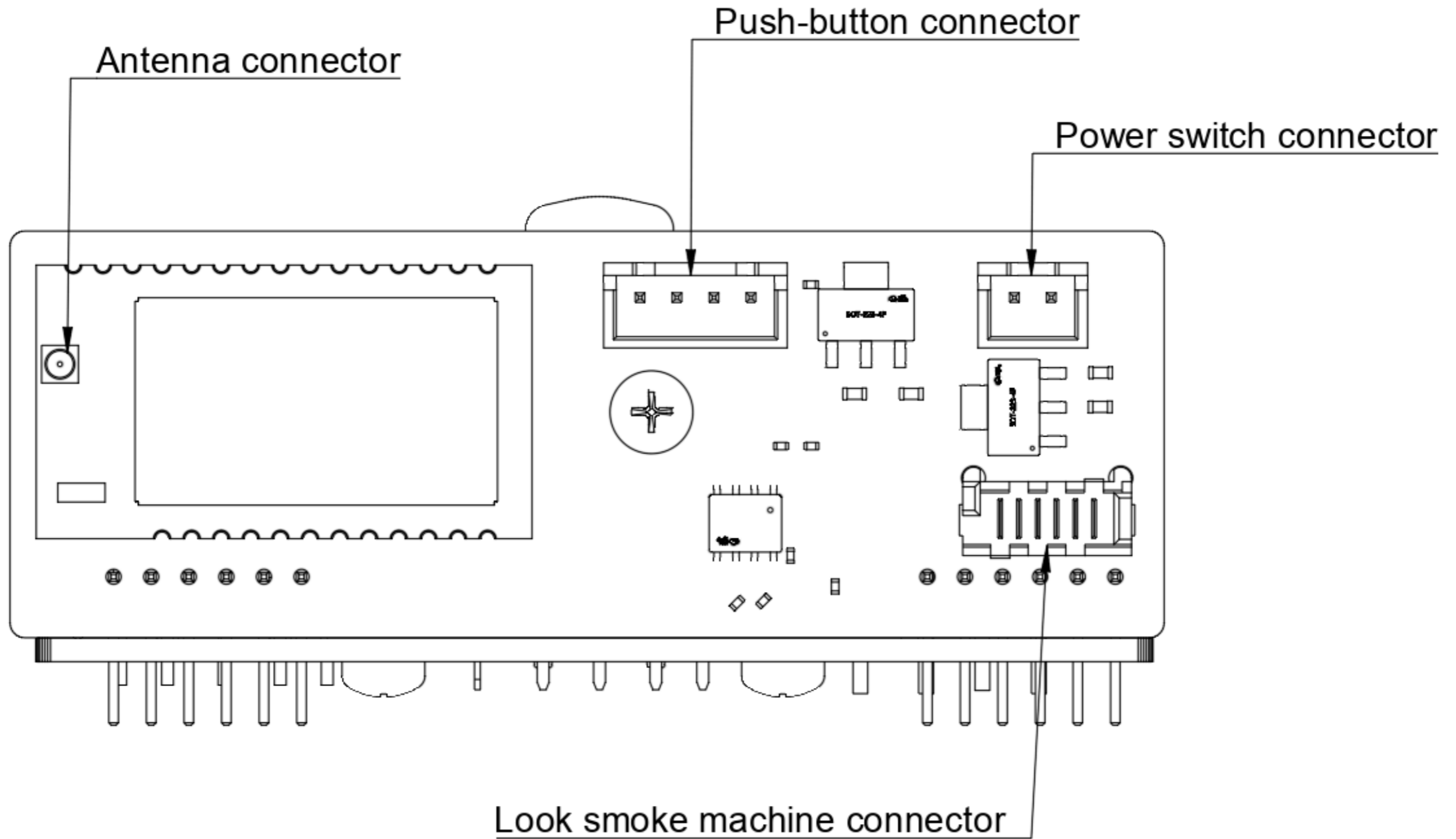
## **Tested on the following smoke machines:**

- Look Viper S
- Look Viper NT
- Look Viper 2.6
- Look Orka
- Smoke Factory Captain D
- Smoke Factory Data II

## **Tools needed for conversion:**

- Torx or Philips screwdrivers (depends on the manufacture time of the smoke machine) for opening the machine and removing original XLR connector board.
- Center punch
- 5mm drill for the power switch
- 6.5mm drill for the antenna connector
- 12mm drill for the push-button connector
- Pliers
- Deburring tool
- Clean cloth

## 02 Main parts



## 03 Installation on Viper NT, Viper 2.6, Captain D, Data II, Orka

1. Remove the handle of the smoke machine
2. Remove the 6 screws from the bottom of the machine holding the top cover to the main body of the machine
3. Lift the top cover and disconnect the protective-earth cable from the top cover
4. Disconnect the cable connecting the original XLR board to the main electronic of the smoke machine
5. The XLR board is held to the machine using the 4 screws screwed into the XLR connectors. After removing these take out the XLR board.
6. Cover the inside of the smoke machine with a clean cloth to minimize the chance of metal shavings from drilling ending up in a wrong place
7. Drill three holes in the body of the smoke machine for the antenna, push-button and power switch. Be mindful of the cable lengths.
8. Deburr the edges if they are jagged.
9. Remove the cloth being careful not to spill metal shavings into the machine. If needed, use vacuum cleaner to carefully remove the shavings.
10. Install the antenna, push-button and power switch. When inserting the power switch make sure which way is the switch turned on.
11. Insert the LOOK CRMX KIT in place of the original XLR board, fasten with screws as the original.
12. Connect the antenna, push-button, power switch and the original cable connecting the XLR board to the main electronics.
13. Reattach the protective-earth cable to the top cover
14. Reattach the top cover and handle

## 04 Basic operation

### Turning ON/OFF

To turn the device on/off flip the power switch.

### Linking / unlinking

Linking procedure should be initiated from the controller / transmitter. Once linked, the transmitter and receiver will remain linked for at least 20 years.

To unlink from linked transmitter hold down the push-button for 3 seconds while the receiver is powered-on to make it ready for pairing with another transmitter. The indicator light on the push-button should stay off in the end of the process.

### Indicator light on the push-button



**Constant off:**

Not linked to any transmitter



**Flashing: off 100 ms / on 100 ms:**

linked to a transmitter, but no active radio link



**Flashing: off 900 ms / on 100 ms:**


Active radio link, no DMX



**Constant on:**

Active radio link, DMX data present

1. If connecting multiple smoke machines with the built-in receiver together via DMX cable only one receiver should be powered on. Unexpected results may appear if there are multiple receivers connected together.
2. The DMX in, DMX out and Remote XLR connectors continue to function as before - when connecting additional DMX controlled devices to the smoke machine with the built in receiver they become part of the same DMX chain.



LOOK CRMX KIT is assembled in Estonia from components made in Estonia and China.

**Contact:**

Supervõimed OÜ

[info@supervoimed.ee](mailto:info@supervoimed.ee)